

Description

The R553F preassembled manifold consists of:

- 1 delivery manifold with front balancing lockshield valves equipped with mechanical memory and flow meters scale 0,5÷5 l/min
- 1 return manifold with interception valves with manual handwheel, suitable for electro-thermal command.
- Metal brackets.
- Set of adhesive labels for identifying the various circuits.
- 1 spanner R558.

Versions and product code

Product code	Manifold connections x outputs	N° of outputs	Flush-mounting cabinet *	
			Series	Product code
R553FZY002	1" x base 18	2	R500-2 Depth 85÷130 mm	R500Y221
R553FZY003		3		R500Y221
R553FZY004		4		R500Y222
R553FZY005		5		R500Y222
R553FZY006		6		R500Y222
R553FZY007		7		R500Y222
R553FZY008		8		R500Y223
R553FZY009		9		R500Y223
R553FZY010		10		R500Y223
R553FZY011		11		R500Y224
R553FZY012		12		R500Y224
R553FZY022		1 1/4" x base 18		2
R553FZY023	3		R500Y221	
R553FZY024	4		R500Y222	
R553FZY025	5		R500Y222	
R553FZY026	6		R500Y222	
R553FZY027	7		R500Y222	
R553FZY028	8		R500Y223	
R553FZY029	9		R500Y223	
R553FZY030	10		R500Y223	
R553FZY031	11		R500Y224	
R553FZY032	12		R500Y224	
R553FZY042	1" x 3/4"E		2	R500-2 Depth 85÷130 mm
R553FZY043		3	R500Y221	
R553FZY044		4	R500Y222	
R553FZY045		5	R500Y222	
R553FZY046		6	R500Y222	
R553FZY047		7	R500Y222	
R553FZY048		8	R500Y223	
R553FZY049		9	R500Y223	
R553FZY050		10	R500Y223	
R553FZY051		11	R500Y224	
R553FZY052		12	R500Y224	

Product code	Manifold connections x outputs	N° of outputs	Flush-mounting cabinet *	
			Series	Product code
R553FY002	1" x base 18	2	R500 Depth 110 mm	R500Y101
R553FY003		3		R500Y101
R553FY004		4		R500Y102
R553FY005		5		R500Y102
R553FY006		6		R500Y102
R553FY007		7		R500Y102
R553FY008		8		R500Y103
R553FY009		9		R500Y103
R553FY010		10		R500Y103
R553FY011		11		R500Y104
R553FY012		12		R500Y104
R553FY024		1 1/4" x base 18		4
R553FY025	5		R500Y102	
R553FY026	6		R500Y102	
R553FY027	7		R500Y102	
R553FY028	8		R500Y103	
R553FY029	9		R500Y103	
R553FY030	10		R500Y103	
R553FY031	11		R500Y104	
R553FY032	12		R500Y104	



***Note.**

The cabinet is chosen keeping in consideration the size of the R554D intermediate fitting and R259D ball valve.

Flush-mounting cabinets for manifolds

Series	Product code	Cabinets dimensions [mm] (L x H x D)
R500-2	R500Y221	400 x 650÷740 x 85÷130
	R500Y222	600 x 650÷740 x 85÷130
	R500Y223	800 x 650÷740 x 85÷130
	R500Y224	1000 x 650÷740 x 85÷130
	R500Y225	1200 x 650÷740 x 85÷130
R500	R500Y101	400 x 460 x 110
	R500Y102	600 x 460 x 110
	R500Y103	800 x 460 x 110
	R500Y104	1000 x 460 x 110

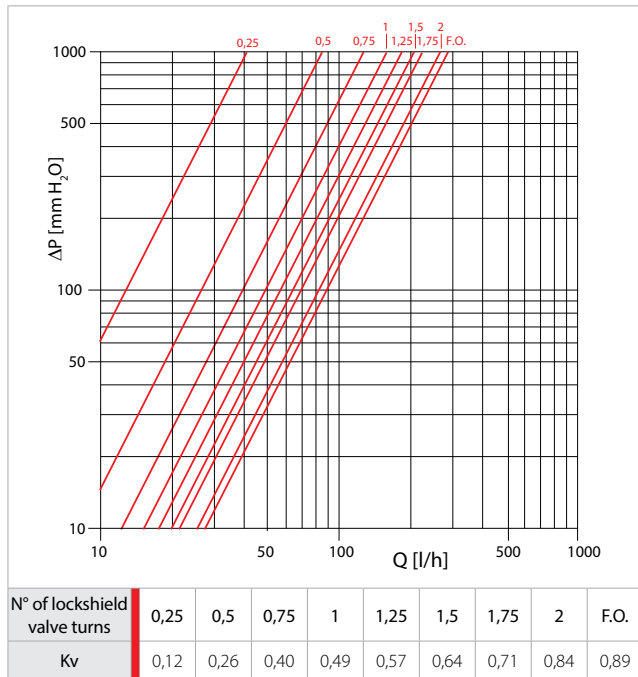
Technical data

- Temperature range: 5÷110 °C
- Max. working pressure: 10 bar
- Outputs centre distance: 50 mm

Materials

- Manifold: CW617N brass
- Gaskets: EPDM
- Brackets: galvanized steel

Losses of pressure of single circuit



Components

Manifold

- The delivery manifold consists of a drawn brass bar in a special alloy, containing a balancing lockshield valve with mechanical memory for each circuit so that the calibration position in each one can be identified and maintained, even in the case of total interception. The mechanical memory takes the form of a specific ring which, when regulated with the R558 spanner, limits the maximum opening of the lockshield valve to the value selected during the balancing phase. To make the correct adjustment, fully open the metal ring using the screwdriver part of the R558 spanner, then close the lockshield valve fully down using the hexagonal part of the spanner. Open the valve by the number of rotations determined via the calibration diagrams, then tighten the memory ring as far as it will go on the valve. The flow meters allow you to immediately read the flow rate circulating in the individual circuits, thereby ensuring optimum balancing.
- The return manifold is equipped with interception valves with a manual handwheel, suitable for electro-thermal command via the electro-thermal actuators R478, R478M (normally open) and R473, R473M (normally closed). The actuators are assembled by releasing the handwheel on the manifolds and thereby freeing the valve connection.

Metallic brackets

Metallic brackets, for use in metal cabinets R500-2 or R500 series (depending on the manifolds codes).

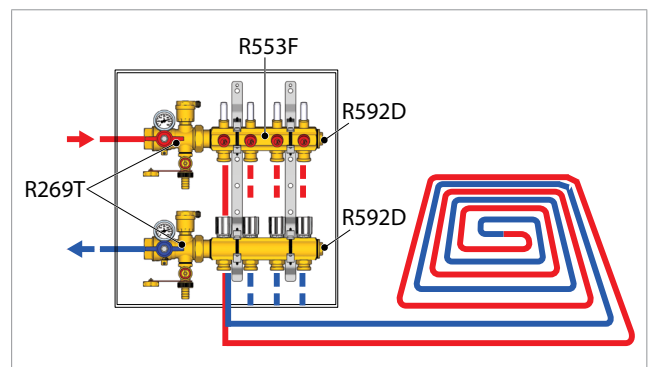
Adjustment key and adhesive labels

The kit is completed with a set of adhesive labels for the detection of the various circuits and an adjusting key for adjusting the holders.

Installation

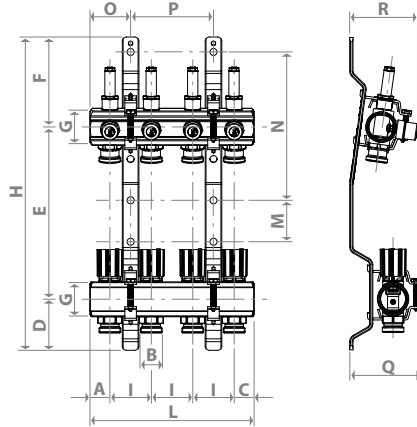
- 1) Install any ball valves and intermediate groups at the entrance of the manifold and the terminal groups or taps at the end of the manifold.
- 2) Install the manifold with the metal brackets inside the cabinet.
- 3) Connect the main pipes coming from the boiler room to the manifold connections and the pipes of the system to the manifold outputs. For the connection use adaptors base 18 (R178, R179 or R179AM series) or Eurocone (R178E, R179E series).
- 4) Install and electrically connecting any electrical actuators in place of the handwheels on the return manifold.

Example of application scheme with radiant floor system



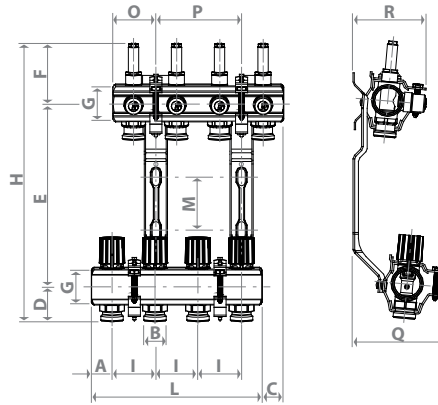
Dimensions

R553F for R500-2 cabinets with 85±130 mm depth



Product code	N° of outputs	G x B	A [mm]	C [mm]	D [mm]	E [mm]	F [mm]	H [mm]	I [mm]	L [mm]	M [mm]	N [mm]	O [mm]	P [mm]	Q [mm]	R [mm]
R553FZY002	2	1" x base 18	24	24	62	208	108	378	50	98	50	179	49	-	86	83
R553FZY003	3									148				50		
R553FZY004	4									198				100		
R553FZY005	5									248				150		
R553FZY006	6									298				200		
R553FZY007	7									348				250		
R553FZY008	8									398				300		
R553FZY009	9									448				350		
R553FZY010	10									498				400		
R553FZY011	11									548				450		
R553FZY012	12									598				500		
R553FZY022	2									1 1/4" x base 18				24		
R553FZY023	3	148	50													
R553FZY024	4	198	100													
R553FZY025	5	248	150													
R553FZY026	6	298	200													
R553FZY027	7	348	250													
R553FZY028	8	398	300													
R553FZY029	9	448	350													
R553FZY030	10	498	400													
R553FZY031	11	548	450													
R553FZY032	12	598	500													
R553FZY042	2	1" x 3/4"E	24	24	62	208	108	378	50		98	50	179		49	-
R553FZY043	3									148	50					
R553FZY044	4									198	100					
R553FZY045	5									248	150					
R553FZY046	6									298	200					
R553FZY047	7									348	250					
R553FZY048	8									398	300					
R553FZY049	9									448	350					
R553FZY050	10									498	400					
R553FZY051	11									548	450					
R553FZY052	12									598	500					

R553F for R500 cabinets with 110 mm depth



Product code	N° of outputs	G x B	A [mm]	C [mm]	D [mm]	E [mm]	F [mm]	H [mm]	I [mm]	L [mm]	M [mm]	O [mm]	P [mm]	Q [mm]	R [mm]
R553FY002	2	1" x base 18	24	25	41	213	69	318	50	98	50±73	49	-	106	84
R553FY003	3									148			-		
R553FY004	4									198			100		
R553FY005	5									248			150		
R553FY006	6									298			200		
R553FY007	7									348			250		
R553FY008	8									395			300		
R553FY009	9									448			350		
R553FY010	10									498			400		
R553FY011	11									548			450		
R553FY012	12									598			500		
R553FY024	4									1 1/4" x base 18			24		
R553FY025	5	248	150												
R553FY026	6	298	200												
R553FY027	7	348	250												
R553FY028	8	395	300												
R553FY029	9	448	350												
R553FY030	10	498	400												
R553FY031	11	548	450												
R553FY032	12	598	500												

Product specifications

R553F

Preassembled brass manifold for conditioning systems with flow meters. Centre distance between the outflow points 50 mm. Temperature range 5÷110 °C. Max. working pressure 10 bar. Consisting of: 1 delivery manifold with front balancing lockshield valves equipped with mechanical memory and flow meters scale 0,5÷5 l/min. 1 return manifold with interception valves with manual handwheel, suitable for electro-thermal command. EPDM gaskets. Metal brackets. Set of adhesive labels for identifying the various circuits. 1 adjustment key R558. Available with connection for base 18 or Eurocone adaptors.

Additional information

For additional information please check the website www.giacomini.com or contact the technical service: ☎ +39 0322 923372 📠 +39 0322 923255 ✉ consulenza.prodotti@giacomini.com
 This pamphlet is merely for information purposes. Giacomini S.p.A. retains the right to make modifications for technical or commercial reasons, without prior notice, to the items described in this pamphlet. The information described in this technical pamphlet does not exempt the user from following carefully the existing regulations and norms on good workmanship.
 Giacomini S.p.A. Via per Alzo, 39 - 28017 San Maurizio d'Opaglio (NO) Italy